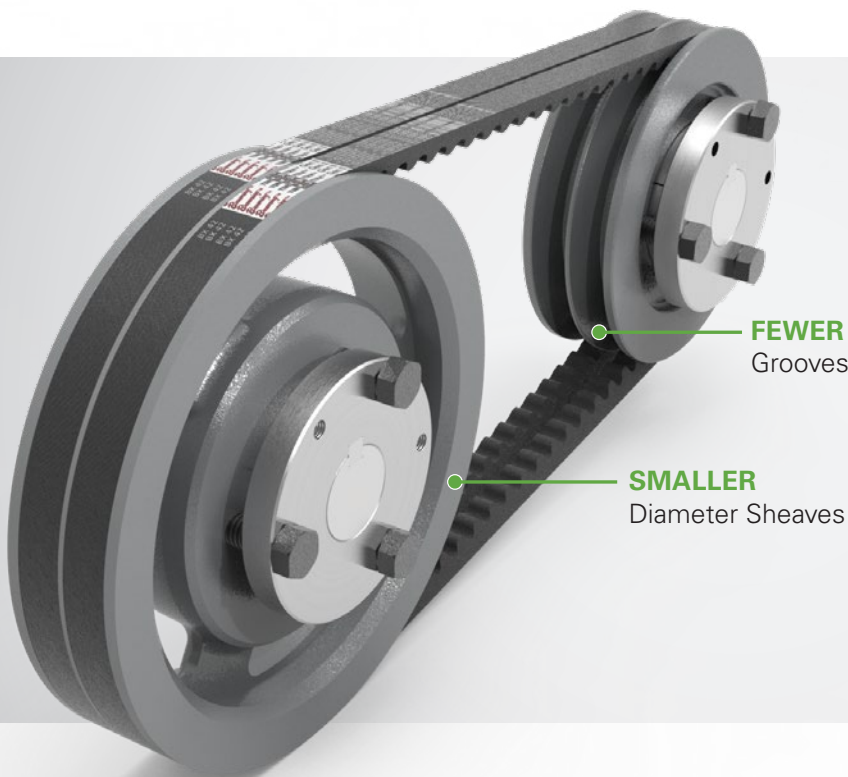


Browning™ TorqTitan™ Notched V-Belt

TorqTitan V-belts have 30% more horsepower carrying capability than current Gripnotch™ V-belts. As a result, most new drives can be lighter weight, with smaller diameter sheaves and/or fewer grooves than those with traditional belts. Drives utilizing TorqTitan belts can also be designed with fewer belts, a smaller driver sheave and a smaller driver bushing, reducing cost and weight.

FEATURES

- No re-tensioning
- Reduced maintenance
- Longer life, compared to Browning Gripnotch notched belts
- Offered in AX, BX, 3VX, and 5VX cross sections



**SMALLER, LIGHTER DRIVES
SAVE MONEY AND
INCREASE EFFICIENCIES**

Browning™

Regal Rexnord

regalrexnord.com TorqTitan.com

Customer Service: 1-833-734-2500

Technical Service: 800-626-2093

The proper selection and application of products and components, including assuring that the product is safe for its intended use, are the responsibility of the customer. To view our Application Considerations, please visit <https://www.regalrexnord.com/Application-Considerations>. To view our Standard Terms and Conditions of Sale, please visit <https://www.regalrexnord.com/Terms-and-Conditions-of-Sale>.

"Regal Rexnord" is not indicative of legal entity. Refer to product purchase documentation for the applicable legal entity. Regal Rexnord, Browning, Gripnotch and TorqTitan are trademarks of Regal Rexnord Corporation or one of its affiliated companies. © 2021, 2025 Regal Rexnord Corporation, All Rights Reserved. MCF-10374-BW-EN-US 1/25

RegalRexnord™